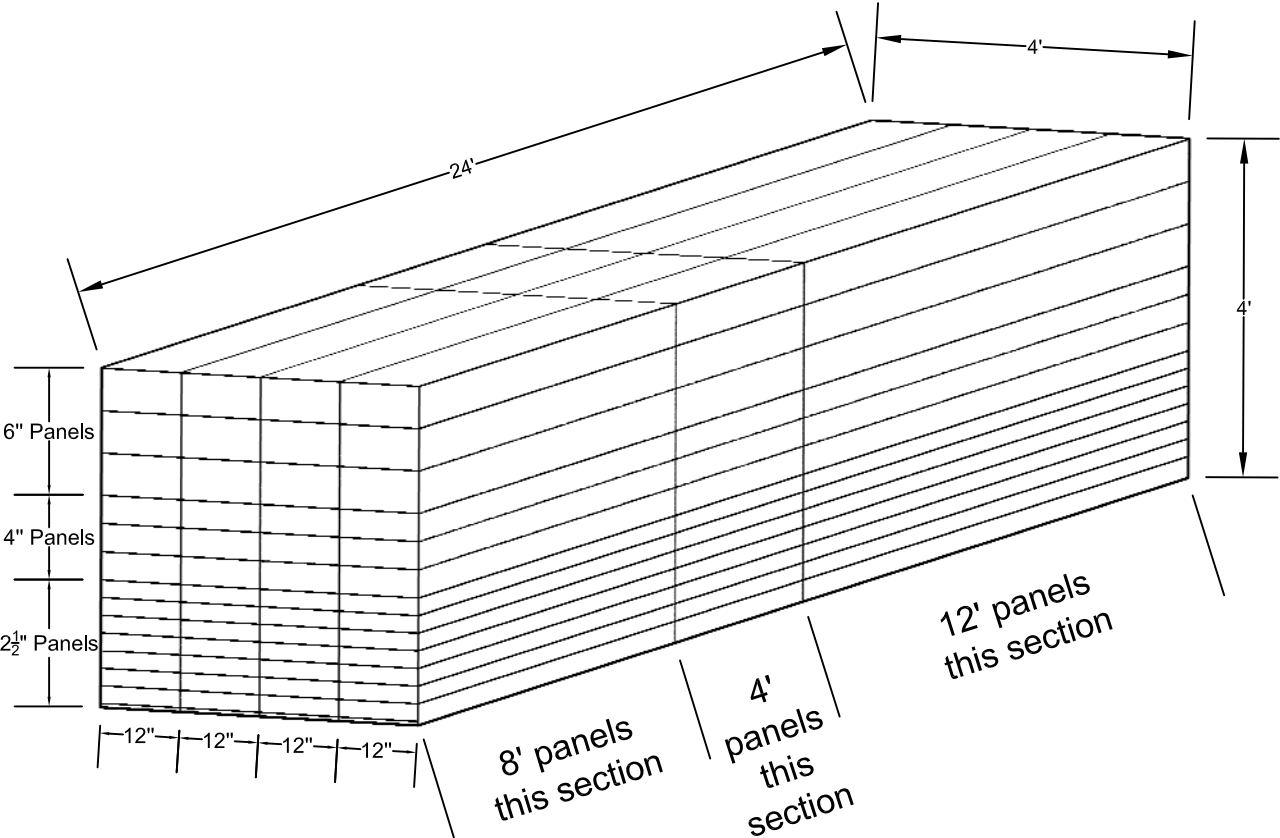


Section 4

Architectural Design

Section 4: Architectural Design

TF standard panels are cut with hot wires, from large EPS blocks.
 The panels are then sent through a machine that grooves the edges and makes a shoulder relief cut to accept the TF studs.



Because we manufacture our panels from blocks:

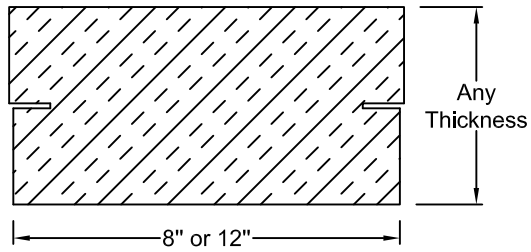
- TF System® is unlimited in the thickness of our poly panels (2½" is the minimum).
- We can produce any length panel up to 12'.(Depending on the mold length of the licensed EPS manufacturer)
- The width of the panel can be either stock 12" or custom 8".



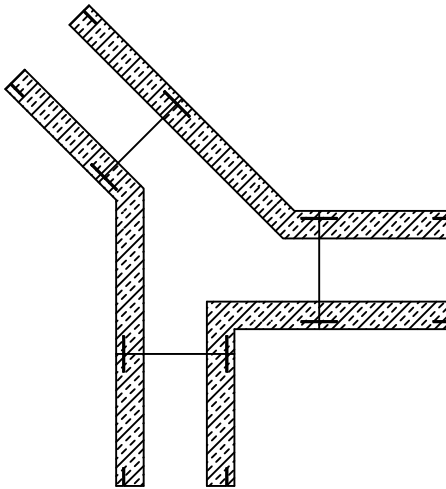
EPS Blocks

TF System®
 3030C Holmgren Way
 Green Bay, WI 54304 USA
 800-360-4634

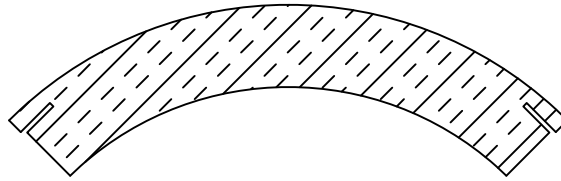
Revision Date:
 Page Number: 41



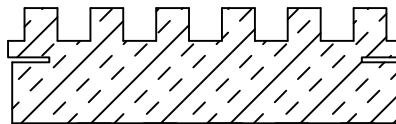
TF can provide any thickness panels with any groove location, which allows us to match any wall dimension needed or R-value desired.



TF has the design flexibility to provide odd shapes or corners to match the specific need of any project.



TF can provide curved panels for a true radius wall.



TF can also provide individually fluted panels.



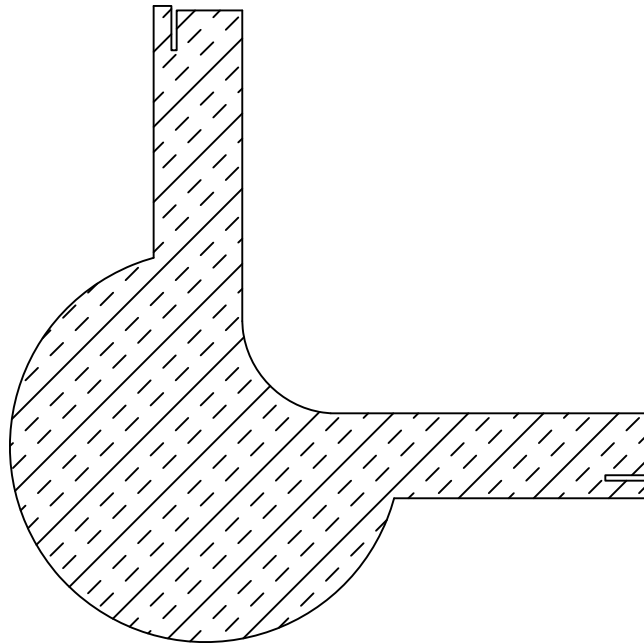
Custom Architectural Panels

TF System®
 3030C Holmgren Way
 Green Bay, WI 54304 USA
 800-360-4634

Revision Date:

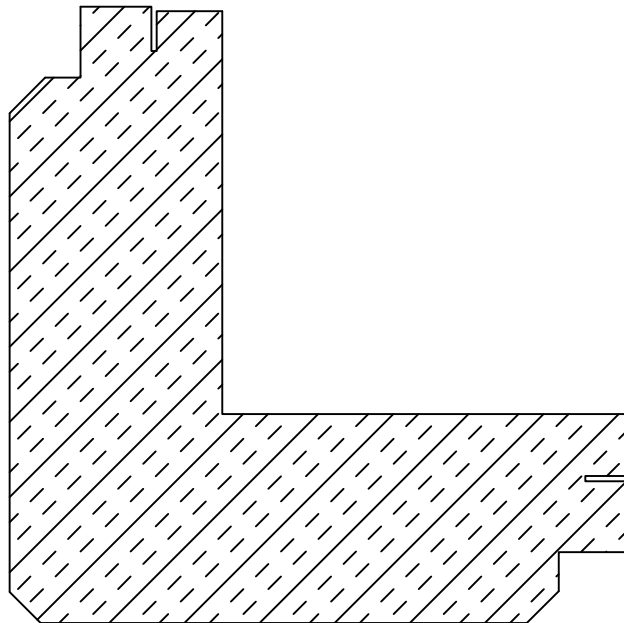
Page Number: 42

Radius Corners



Architectural corners are only limited by your imagination.

Bump-out Corners



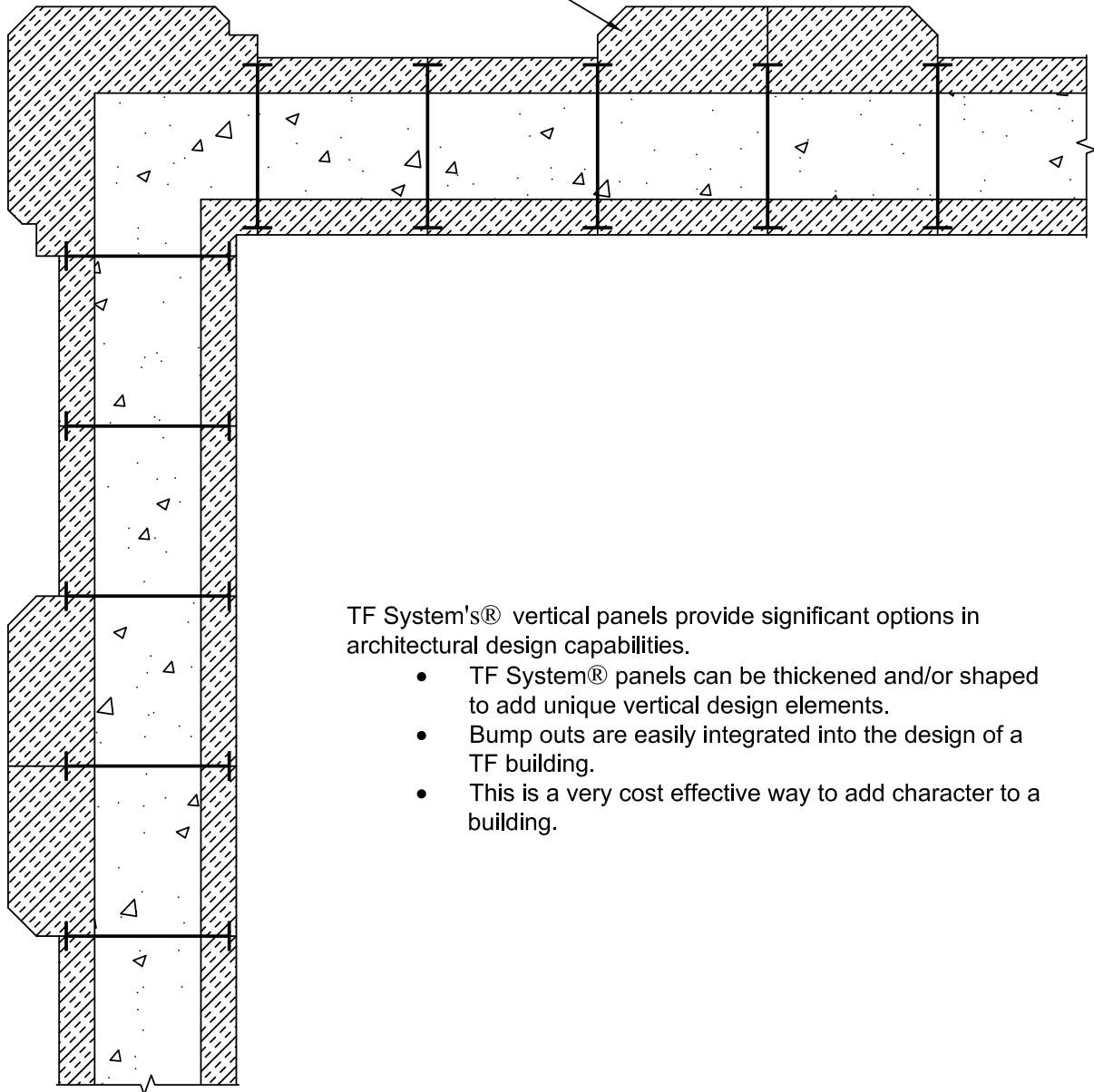
**Custom Architectural
Corners**

TF System®
3030C Holmgren Way
Green Bay, WI 54304 USA
800-360-4634

Revision Date:

Page Number: 43

Edges of panels can be beveled.



TF System's® vertical panels provide significant options in architectural design capabilities.

- TF System® panels can be thickened and/or shaped to add unique vertical design elements.
- Bump outs are easily integrated into the design of a TF building.
- This is a very cost effective way to add character to a building.



The Vertical ICF

Architectural Walls

TF System®
3030C Holmgren Way
Green Bay, WI 54304 USA
800-360-4634

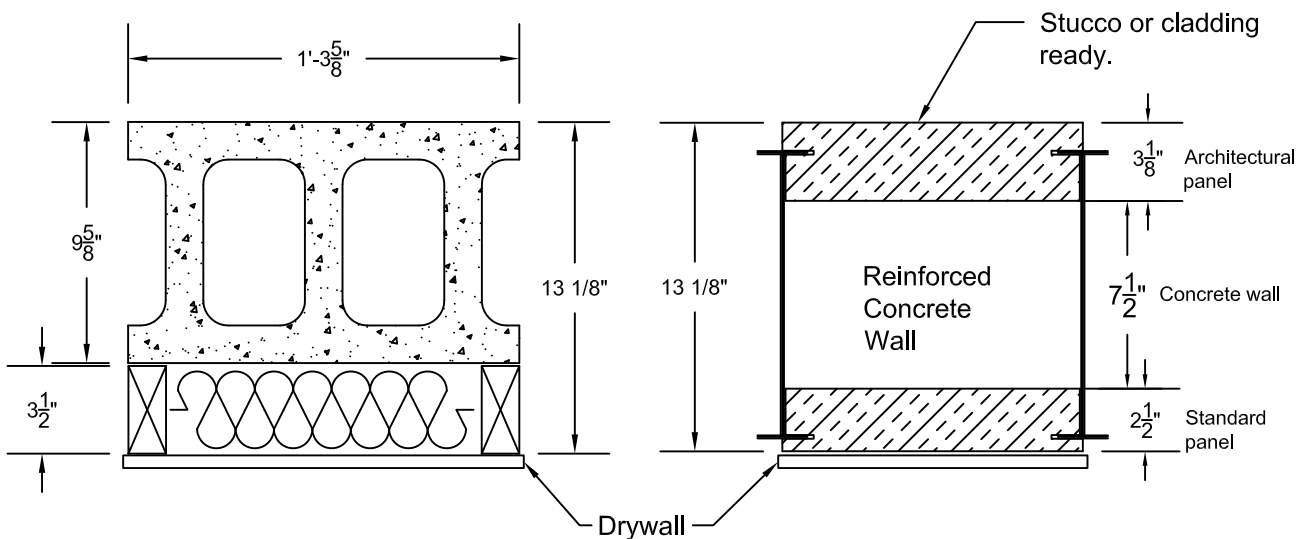
Revision Date:

Page Number: 44

TF System stud and panel walls can be modified, allowing the use of various thickness poly panels. Therefore, TF System can be adjusted to match different width commercial wall systems.

This will allow the use of TF System as an alternative, providing a much greater R-value system on commercial buildings without changing the specified dimensions.

Example



10" Block/stud wall

R-11 insulation

.VS

7 1/2" TF System concrete wall.

R-27 insulation

- ✓ Better R-value
- ✓ Reduced labor cost
- ✓ 60% faster (faster occupancy)
- ✓ Green building product
- ✓ LEED points
- ✓ No cavity for mold
- ✓ No cavity for insects
- ✓ No heavy handling equipment
- ✓ No back injuries



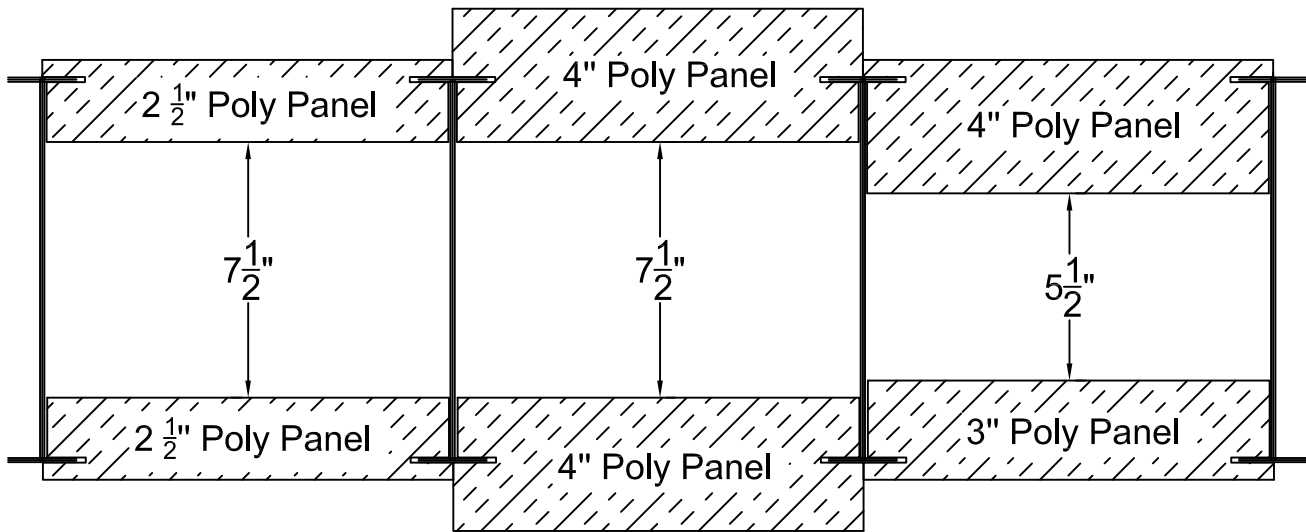
Block vs TF walls

TF System®
 3030C Holmgren Way
 Green Bay, WI 54304 USA
 800-360-4634

Revision Date:

Page Number: 45

Couple different thickness panels to create varying wall thicknesses.



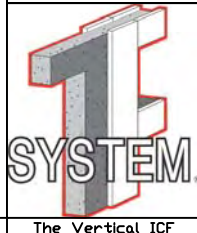
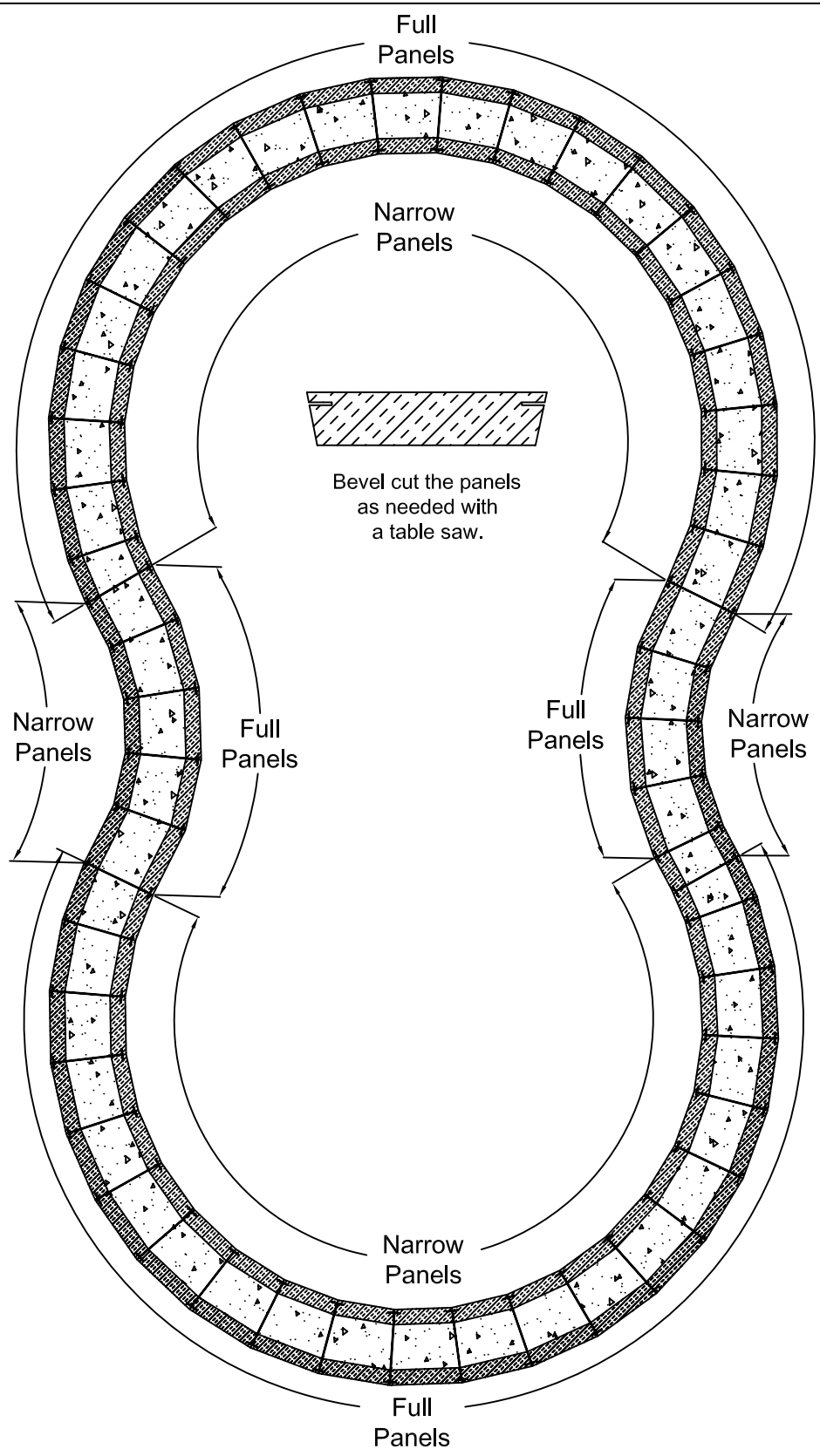
The Vertical ICF

Varying Wall Widths

TF System®
 3030C Holmgren Way
 Green Bay, WI 54304 USA
 800-360-4634

Revision Date:

Page Number: 46



The Vertical ICF

Curved Walls

Swimming Pools

TF System®
 3030 Holmgren Way
 Green Bay, WI USA
 800-360-4634

Revision Date:

Page Number: 47

